

Product Description

- ◆ Material: 6063-T5
- ◆ Surface treatment: Anode Oxidation (Natural color)
- ◆ Suitable for KSI and KSI-M series panel mounted SSR
- ◆ Available with 35mm Din-rail or screw installation



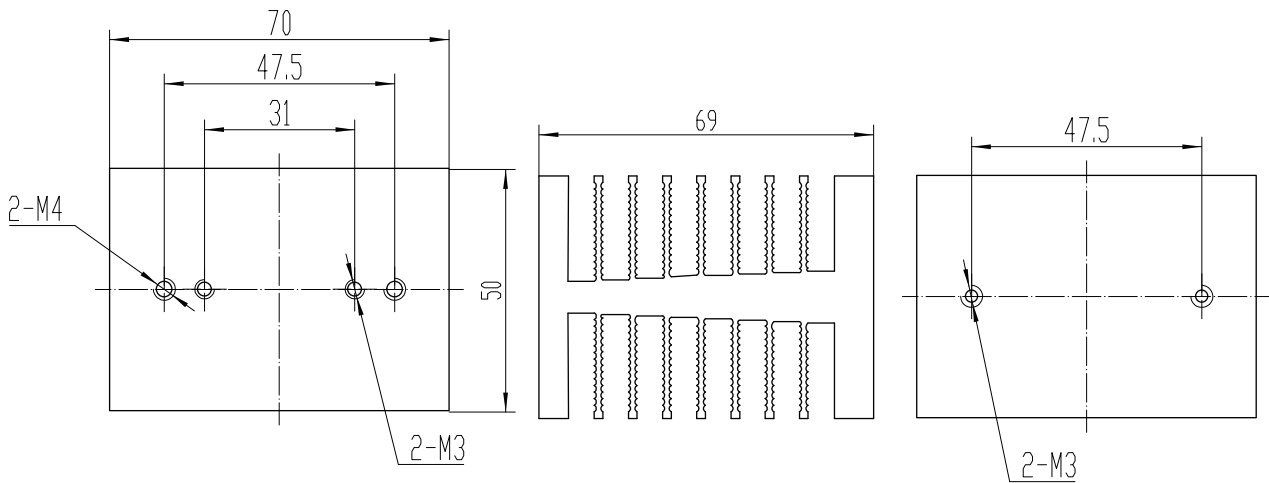
Ordering Information



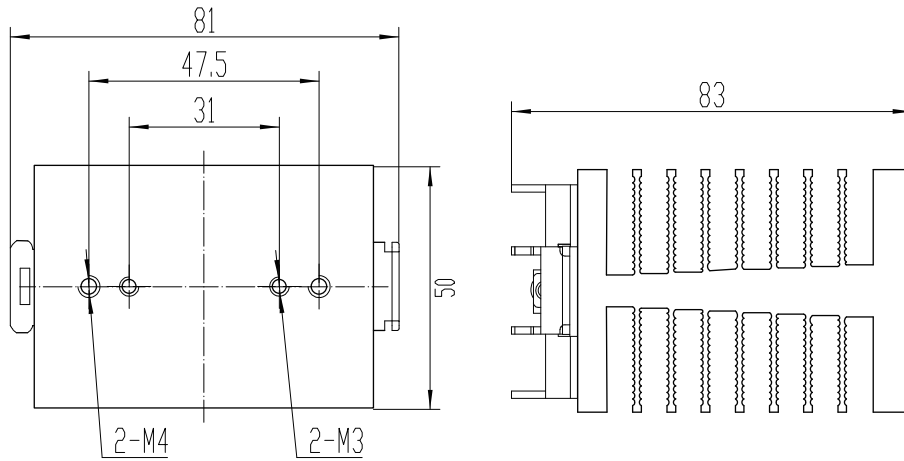
General Specifications

Series	B Series		
Part Number	KHS-B70	KHS-B70-D	KHS-B90-D
Photo			
Material	6063-T5	6063-T5	6063-T5
Thermal Resistance	1.9 C/W	1.9 C/W	1.7 C/W
Net Weight(Typical)	273g	329g	420g
Outer Dimension	50mm×69mm×70mm	50mm×83mm×81mm	50mm×78mm×122mm
Installation mode	Screw	35mm Din-rail	35mm Din-rail
Suitable for	SSR with mounting hole spacing of 31mm or 47.5mm, such as KSI-M, KSI series	SSR with mounting hole spacing of 31mm or 47.5mm, such as KSI-M, KSI series	SSR with mounting hole spacing of 47.5mm or 40mm×70mm, such as KSI or KMTYM series

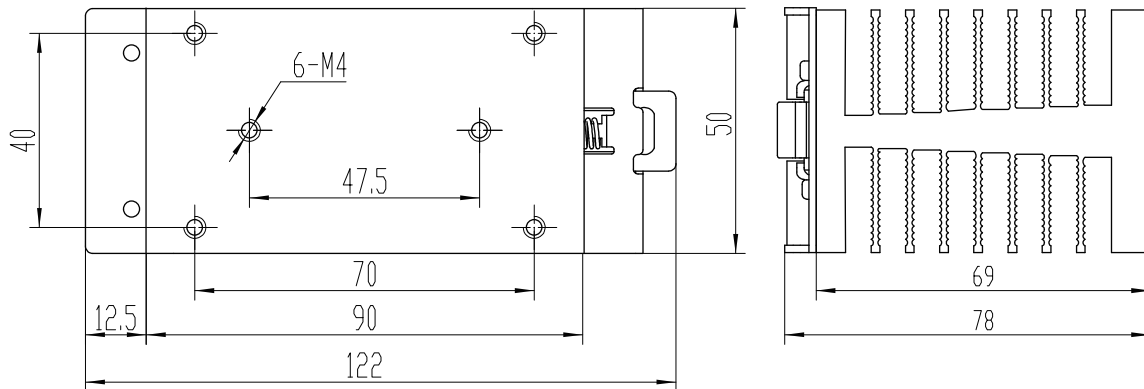
Outline Dimensions



KHS-B70



KHS-B70-D



KHS-B90-D