

Product Description


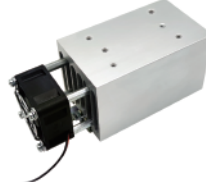
- ◆ Material: 6063-T5
- ◆ Surface treatment: Anode Oxidation (Natural color)
- ◆ Suitable for KSI series panel mounted SSR
- ◆ Available with 35mm Din-rail installation



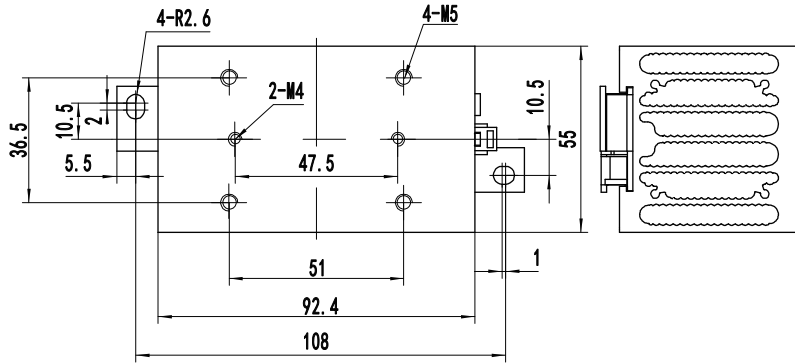
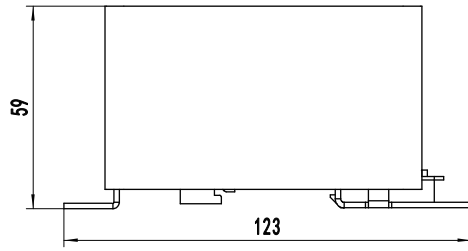
Ordering Information

<b>KHS</b>	<b>-I</b>	<b>93</b>	<b>D</b>	<b>24DC</b>	<b>A</b>
KHS Series	Series I: I Series	Length 93: 92.4mm	Accessory D: Din-rail B: Fan&Din-rail	Fan Voltage Blank: No Fan 24DC: 24Vd.c.	Suitable for A: KSI

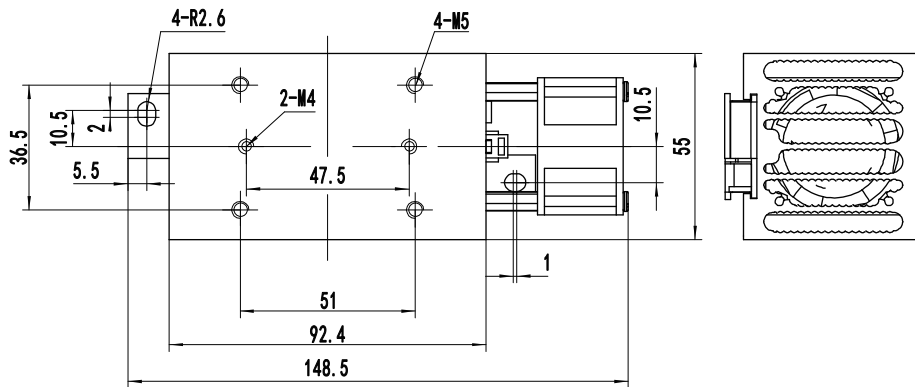
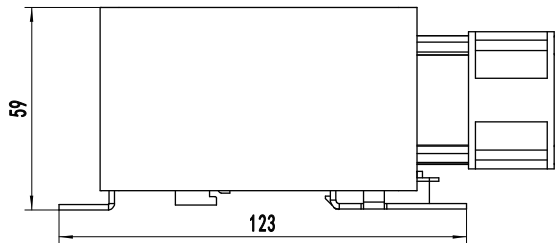
General Specifications

Series	I Series	
Part Number	KHS-I93-D-A	KHS-I93-B24DC-A
Photo		
Material	6063-T5	6063-T5
Thermal Resistance	1.6 C/W	0.6 C/W
Net Weight(Typical)	346g	394g
Outer Dimension	123mm×55mm×59mm	148.5mm×55mm×59mm
Installation mode	35mm Din-rail	35mm Din-rail
Suitable for	SSR with mounting hole spacing of 47.5mm, such as KSI series	SSR with mounting hole spacing of 47.5mm, such as KSI series

Outline Dimensions



KHS-I93-D-A



KHS-I93-B24DC-A